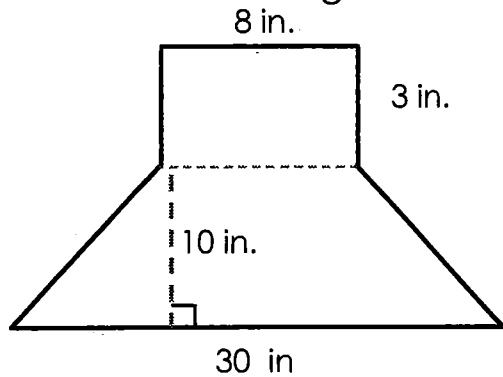


Name: _____

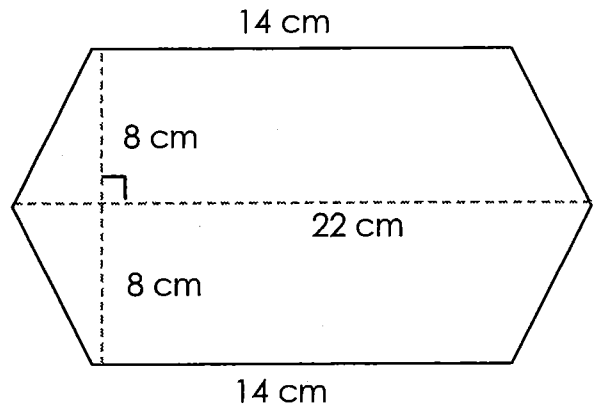
Date: _____

PRACTICE: AREA OF COMPOSITE FIGURES

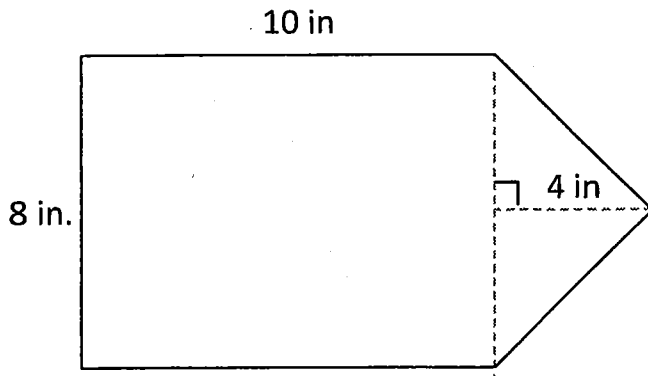
#1 Find the area of the figure below:



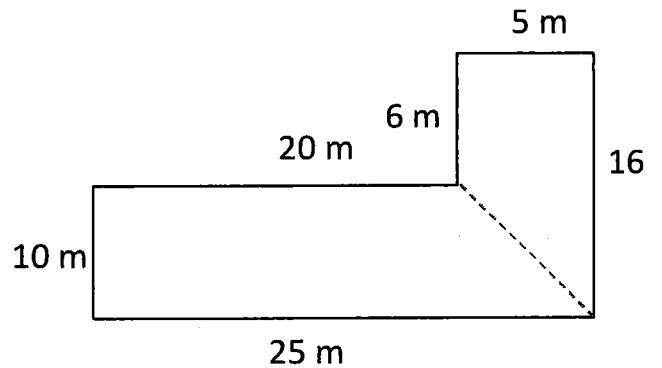
#2 Find the area of the figure below:



#3 Find the area of the figure below:

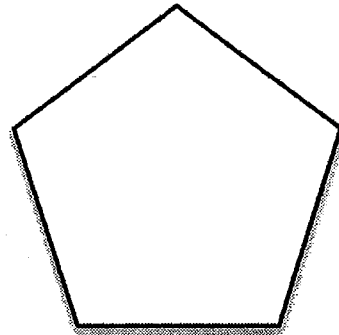
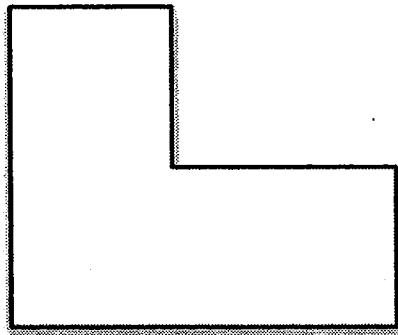
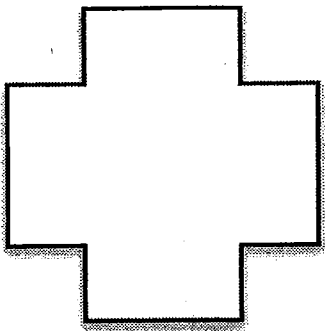


#4 Find the area of the figure below:



AREA OF COMPOSITE FIGURES

A _____ figure is made up of triangles, squares, rectangles, and other two-dimensional figures. A composite figure is not a standard _____ shape. To find the area of a composite figure, _____ it into figures with areas you know how to find. Then, find the _____ of the areas of those figures. Separate the composite figures below into basic shapes that you can find the area of. Label each shape and write the formula that you would use to find the area.



Find the area of each composite shape below:

